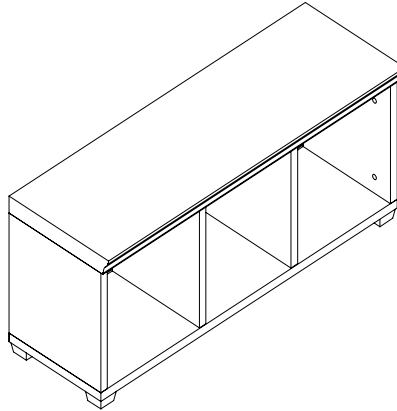




B-Cubed 3101Bench Cabinet - w/ Feet



Thank you for purchasing our products. Assembly of this product requires a phillips screwdriver.

Lay out parts on a non-abrasive surface to avoid scratching finish.

NO.	DRAWING	DESCRIPTION	QTY
A		TOP	1
B		END PANELS	2
C		CUBE BACK	1
D		BOTTOM	1
E		VERTICLE DIVIDER	2
F		FEEL	5

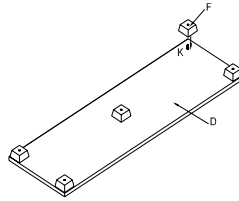
NO.	DRAWING	DESCRIPTION	QTY
G		MINIFIX CAM	8
H		MINIFIX CONNECTING BOLT	8
I		WIRE GUIDE	4
J		PLASTIC CAPS	8
K		HEADLESS ROD	5
L		ANGLE BRACKET	4
M		WOOD SCREW 4.0*14	12

STEP 1
Identify and count all parts using diagram above.

STEP 2
Identify and count all hardware.

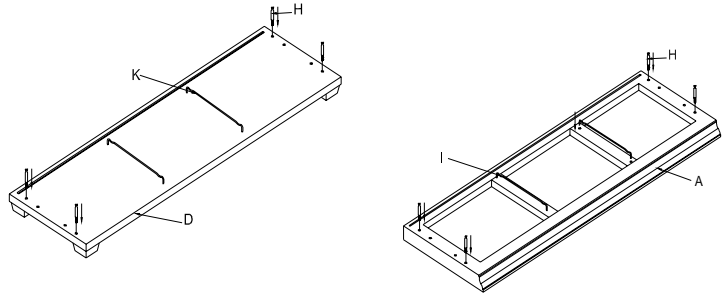
Step 3

Lay Bottom (D) w/ groove facing down on a non-abrasive surface. Screw Headless Rod (K) into threaded inserts (5 places). Attach Feet (F) screwing them into the opposite end of headless rod. Square the feet up to the edges.



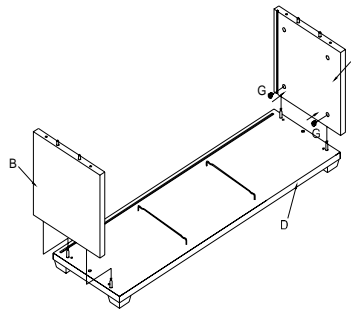
STEP 4

Lay Top panel (A) & Bottom panel (D) w/ grooves facing up on non-abrasive surface. Thread Minifix Connecting Bolts (H) into threaded inserts (8 places). Tighten bolts using phillips screw driver. Insert Wire Guide (I) into pre-drilled holes (2 places).



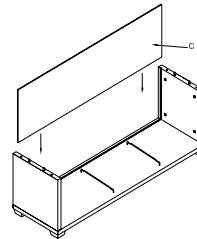
STEP 5

Attach End Panels (B) by Aligning the predrilled holes in the edges to the Minifix Connecting Bolts in Bottom (D). Make Sure parts are seated tightly together. Insert the Minifix Cams (G) into the predrilled holes in End Panels (4 places) - Securely tighten Minifix Cams using phillips head screw driver.



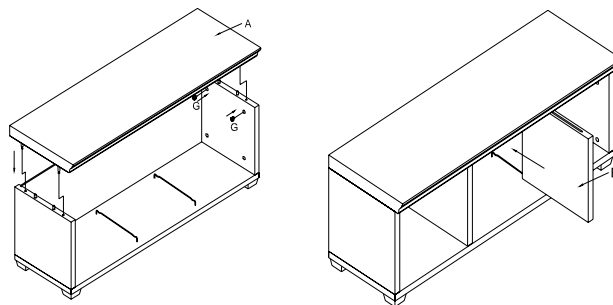
STEP 6

Slide Cube Back (C) into grooves on Ends and Bottom.



STEP 7

Attach Top (A) by Aligning the Minifix Connecting Bolts to the predrilled holes in the edges of End Panels. Make sure that all parts are seated tightly together. Insert the Minifix Cams (G) into the predrilled holes in Ends (4 places) - Securely tighten Minifix Cams using phillips head screw driver. Insert Plastic Cap (J) to cover all 8 Minifix Cam heads. Slide Vertical Divider (E) in by aligning grooves in edges with wire guides.



STEP 8

Attach Angle Bracket (L) using Wood Screw (M) in 4 corners on back of Base Cabinet.

At the location of the pilot holes in the back panel, attach 4 screws thru the back panel into vertical dividers

