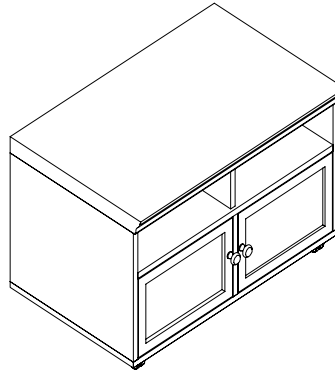




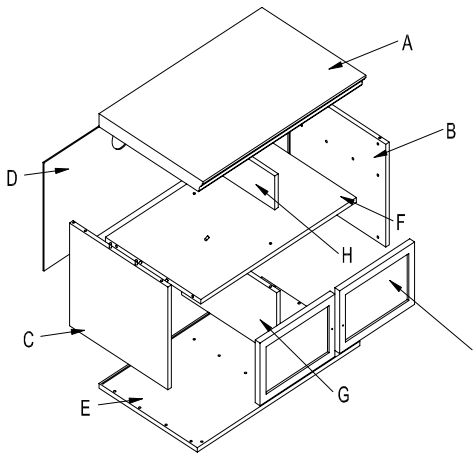
B-Cubed 3102 Media Cabinet - w/ Feet



Thank you for purchasing our products. Assembly of this product requires a phillips screwdriver.

We recommend two people when assembling the Media Cabinet.

Lay out parts on a non-abrasive surface to avoid scratching finish.



NO.	DRAWING	DESCRIPTION	QTY	NO.	DRAWING	DESCRIPTION	QTY
A		TOP	1	E		BOTTOM	1
B		RIGHT END	1	F		HORIZONTAL SHELF	1
C		LEFT END	1	G		FIXED VERTICLE	1
D		CASE BACK	1	H		VERTICLE DIVIDER	1
				I		DOORS	2
				J		FEEL	5

NO.	DRAWING	DESCRIPTION	QTY
K		MINIFIX CAM	16
L		MINIFIX CONNECTING BOLT	16
M		WIRE GUIDE	2
N		PLASTIC CAPS	16
O		WOOD KNOBS	2
P		KNOB SCREWS	2
Q		INSERT HINGES-HINGE	4
R		HINGE SCREWS	8
S		HEADLESS ROD	5
T		CASTERS	5
U		WOOD SCREW 4.0"14	7
V		ANGLE BRACKET	4
W		WOOD SCREW 3.5"14	12

STEP 1

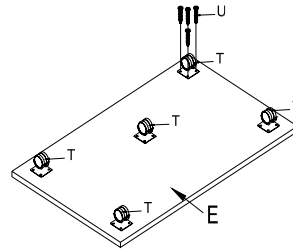
Identify and count all parts using diagram above.

STEP 2

Identify and count all hardware.

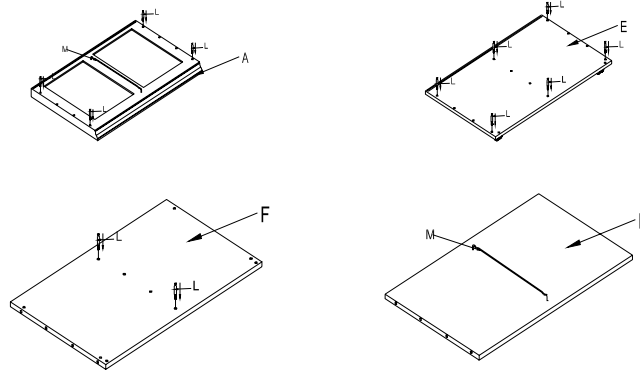
Step 3

Lay Bottom (E) w/ groove facing down on a non-abrasive surface. The Media Cabinet comes with feet or optional casters. Option 1 - Screw Headless Rod (S) into threaded inserts (5 places). Attach Feet (J) by screwing them into the opposite end of headless rod. Square the feet up to the edges. Option 2 (as illustrated) Attach 5 Casters (T) using wood Screws (U) into pilot holes on under side of bottom.



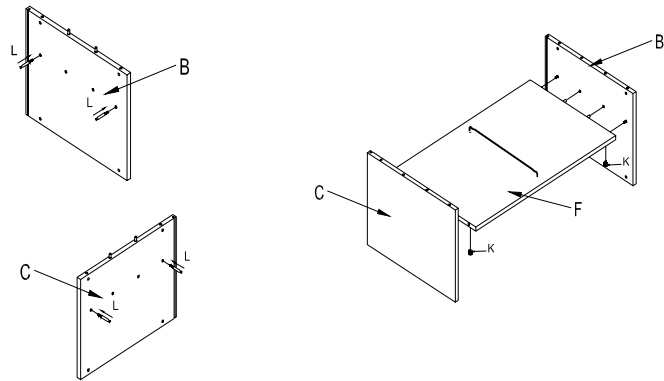
STEP 4

Position Top panel (A) & Bottom panel (E) w/ grooves facing up on non-abrasive surface. Position Horizontal Shelf (F) w/ side with threaded inserts facing up. Thread Minifix Connecting Bolts (L) into threaded inserts on all three parts (12 places). Tighten bolts using phillips screw driver. Insert Wire Guide (M) into pre-drilled holes in underside of Top and top side of Horizontal Shelf (2 places).



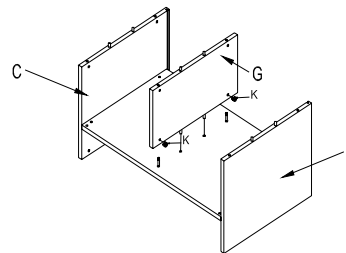
STEP 5

Position Left and Right End Panels (B) & (C) with grooves facing up on a non-abrasive surface. Thread Minifix Connecting Bolts (L) into threaded inserts (4 places). Tighten bolts using phillips screw driver. Align Minifix Connecting Bolts in right & left ends to Minifix Cam holes on edges of Horizontal Shelf (F). Insert Minifix Cams (K) into pre-drilled holes in Bottom side of Horizontal Shelf. Tighten Cams using phillips head screw driver.



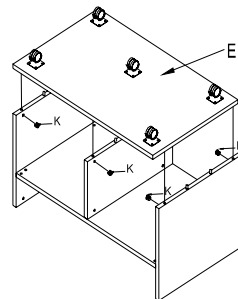
STEP 6

Attach Fixed Vertical (G) to Horizontal Shelf (F) by aligning Minifix Cam Bolts on underside of Horizontal Shelf with Minifix Cam holes in edge of fixed vertical. Insert the Minifix Cams (K) into the predrilled holes in Fixed Vertical (4 places) - Securely tighten Minifix Cams using phillips head screw driver.

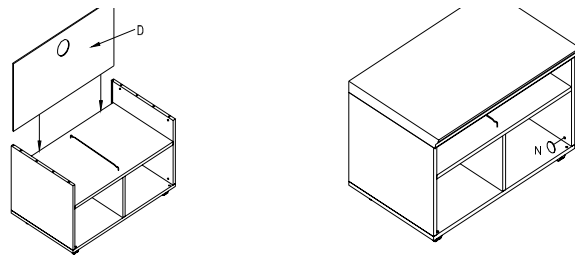


STEP 7

Attach Bottom (E) by Aligning Minifix Cam Bolts in bottom to the Minifix Cam holes in the edges of the left and right ends and fixed vertical. Insert Minifix Cams (K) into pre-drilled holes in left and right ends and fixed vertical. Tighten Cams using phillips head screw driver.

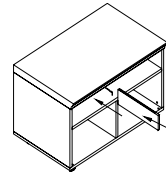


Slide Case Back (D) into grooves on left and right sides and into groove in bottom. Attache Top (A) by aligning Minifix Cam Bolts in top to Minifix Cam holes in edges of the left and right ends. Insert Minifix Cams (K) into pre-drilled holes in ends. Tighten Cams using phillips head screw driver.



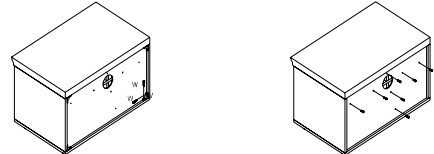
STEP 9

Insert Vertical Divider (H) by aligning grooves in edges with Wire Guides on underside of top and top side of horizontal shelf.



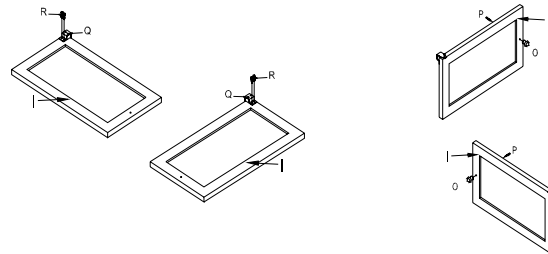
STEP 10

Attach Angle Bracket (V) using Wood Screw (W) in 4 corners on back of Media Cabinet. At the location of pilot holes in back panel attach screws thru back panel into vertical dividers and shelf.



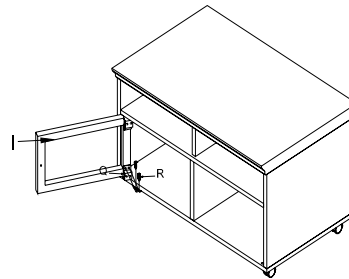
STEP 11

Attach Insert Hinge (Q) to bottom of 2 Doors (I). Do this by aligning holes in hinges to pilot holes in doors. Screw in using Hinge Screw (R). Attach Knob (O) using Knob Screw (P) to Doors (I).



STEP 12

Install left door on Media Cabinet by aligning the insert hinge on bottom of door with the hinge pivot hole in bottom. Position another insert hinge (Q) into hinge pivot hole on underside of horizontal shelf and while holding the hinge in place position door to align holes in insert hinge to pilot holes in top inside of door. Screw the hinge into the top inside of door Using Hinge Screw (R). Repeat process for Right Hand (opposite door).



This Completes the Assembly of the Media Cabint.

