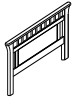
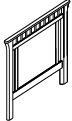

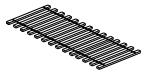





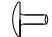
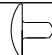


Assembly Instructions For Bennington Twin, Full & Bunk Beds

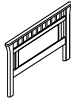
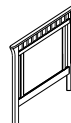

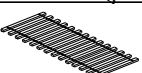
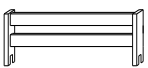


Replacement parts can be obtained from any Authorized Bolton Furniture dealer.



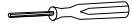


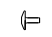
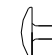
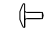
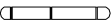

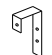

Parts List For Bennington Twin or Full Bed

NO.	Drawing	Description	Qty.
A		Footboard	1
B		Headboard	1
C		Side Rails	2
D		Bed Slats	1

NO.	Drawing	Description	Qty.
H		80mm Hex Bolt	8
I		Cross Dowel	8
J		Hex Wrench	1
K		30mm Wood Screw	30
L		Wooden Plugs	13
M		Insert Plugs	2
N		Mushroom Plugs	4

Parts List For Bennington Twin/Twin or Full/Full Bunk Bed

NO.	Drawing	Description	Qty.
A		Footboard	2
B		Headboard	2
C		Side Rails	4
D		Bed Slats	2
E		Front Safety Rail	1
F		Back Safety Rail	1
G		Ladder	1

NO.	Drawing	Description	Qty.
H		80mm Hex Bolt	16
I		Cross Dowel	16
J		Hex Wrench	1
K		30mm wood screw	64
L		Wooden Plug	24
M		Insert plug	2
N		Mushroom Plug	8
O		Safety rail plug	1
P		Steel Dowel	4
Q		20mm wood screw	6
R		Ladder hook	2
S		50mm Hex Bolt	3

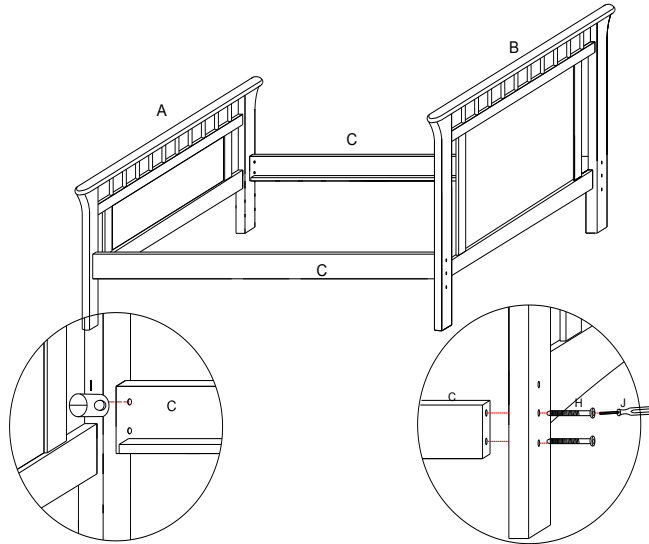
Bennington Bed Assembly Instructions: Two people recommended for this assembly.

Step 1

Verify that you have all the parts.

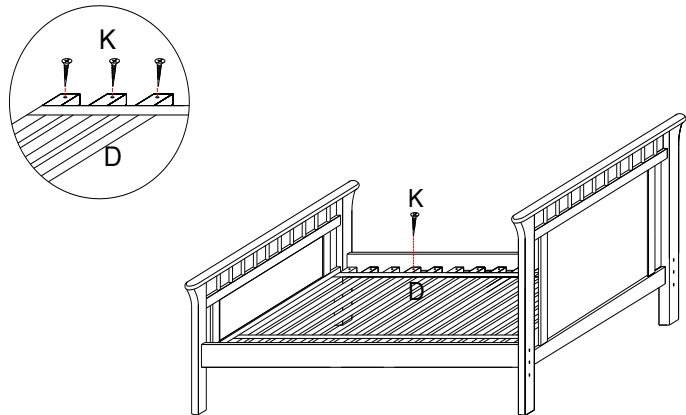
Step 2

Bed Assembly: Position Headboard & Footboard (A & B) and Side Rails (C) in approximate location where you want bed. Insert Cross Dowels (I) in pre-drilled holes on inside of side rails. Determine position of side rails - upper or lower. **NOTE:** If using optional under bed accessories, side rails must be in upper position. Attach side rails to bed ends by inserting 80mm Hex Bolt (H) into thru holes on bed ends - 8 places. Thread hex bolt into cross dowels in side rails. Using Hex Wrench (J) tighten hex bolts.



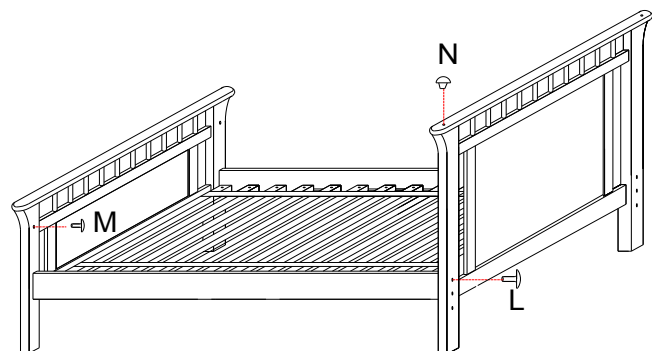
Step 3

Place Slat Roll (D) on the wooden cleats of side rails. With counter sunk holes in slats up, center slats between Headboard & Footboard. Make sure the spacing between both beds ends and first & last slat are less than 3 1/2". Screw slats to wooden cleats using 30mm Wood Screws (K) - 28 places.



Step 4

Insert Wooden Plugs (L) into counter sunk holes in Headboard & Footboard to cover hex bolt heads - 12 places. Insert Mushroom Plug (N) into stacking pin holes in headboard - 2 places. Place Insert Plug (M) in threaded inserts on footboard - 2 places.



You are now ready to enjoy your new Bed from Bolton Furniture

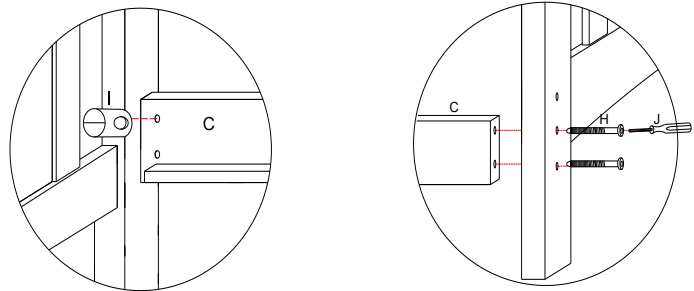
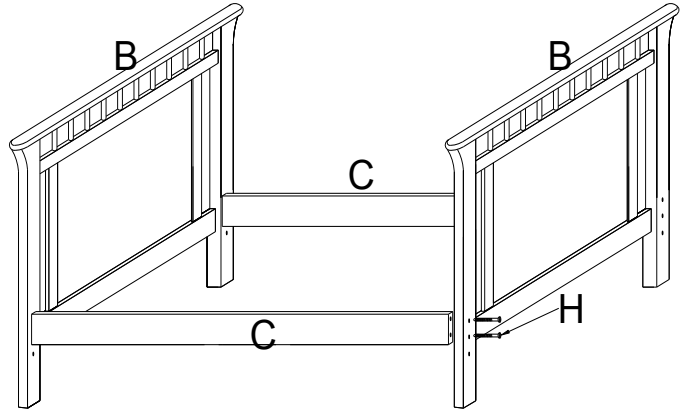
Bennington Bunk Bed Assembly Instructions: Two people recommended for this assembly.

Step 1

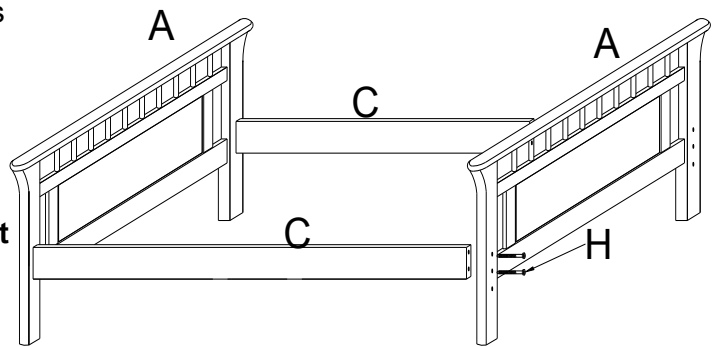
Verify that you have all the parts.

Step 2

Bottom Bed Assembly: Position (2) Headboards (B) and Side Rails (C) in approximate location where you want bed. Insert Cross Dowels (I) in pre-drilled holes on inside of side rails. Determine position of side rails - upper or lower. **NOTE:** If using optional under bed accessories, side rails must be in upper position. Attach side rails to bed ends by inserting 80mm Hex Bolt (H) into thru holes on bed ends. Thread hex bolt into cross dowels in side rails. Using Hex Wrench (J) tighten hex bolts.

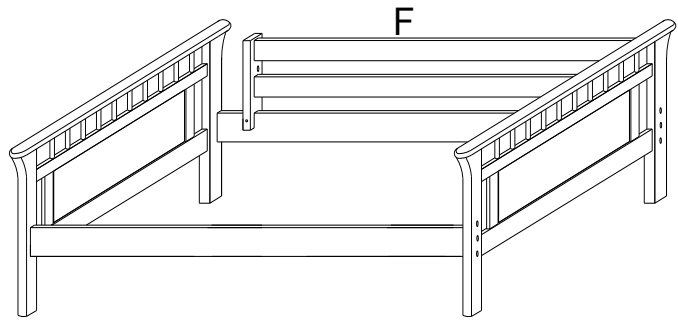


Top Bed Assembly: Position (2) Footboards (A) and Side Rails (C) in approximate location where you want bed. Insert Cross Dowels (I) in pre-drilled holes on inside of side rails. **NOTE:** Side rails **must be in upper position** on top bunk assembly. Attach side rails to bed ends by inserting 80mm Hex Bolt (H) into thru holes on bed ends. Thread hex bolt into cross dowels in side rails. **NOTE: Do not tighten hex Bolts at this time!** You will need adjustability to position Back Safety Rail between the two bed ends and over the back side rail.

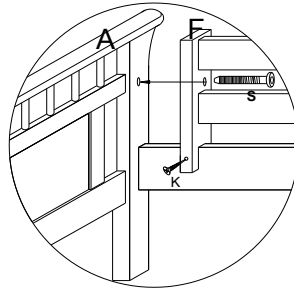


Step 3

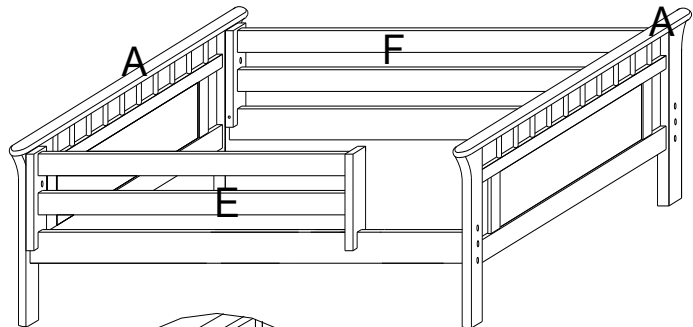
Attach Back Safety Rail: Make sure the pilot holes on the posts of the Back Safety Rail (F) are facing the inside of the siderail (side with the cleat). Position Back Safety Rail (F) between 2 bed ends. Slide the Safety Rail over Side Rail. Using Hex Wrench (J), you can now tighten the 80MM Hex Bolts securing the bed ends to the side rails.



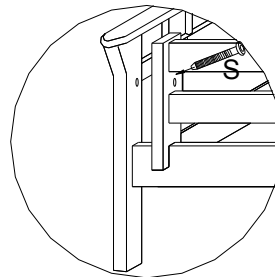
Secure Back Safety Rail to the bed ends by inserting 50 MM Hex Bolt (S) into the thru holes in safety rail posts, threading them into the inserts in both bed ends - tighten using Hex Wrench (J). Secure safety rail posts to inside of side rail using 30 MM Wood Screw (K) - 2 places.



Attach Front Safety Rail: Make sure the pilot holes on the posts of the Front Safety Rail (E) are facing the inside of the siderail (side with the cleat). Slide the Front Safety Rail (E) over Side Rail. Position front safety rail to left or right end of bed.

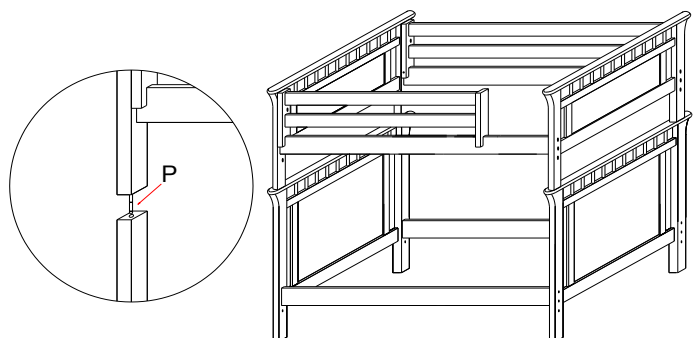


Secure Front Safety Rail to bed ends by inserting 50 MM Hex Bolt (S) into thru hole in front safety rail post, threading it into insert in bed end - tighten using Hex Wrench (J).. Secure safety rail posts to inside of side rail using 30 MM Wood Screw (K) - 2 places.



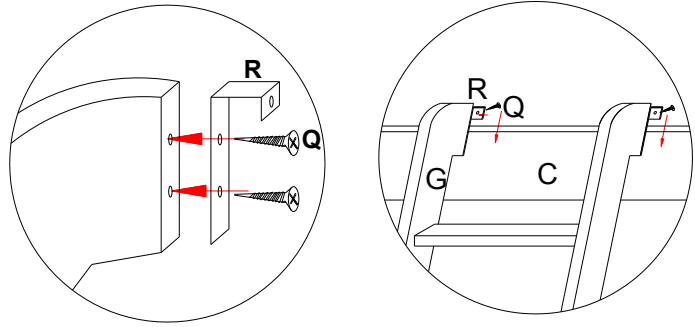
Step 4

Position Upper assembly on Lower Assembly: Insert Steel Dowel (P) into predrilled holes in top rails/posts of Lower Bed Assembly (4 places). Position the upper bunk bed assembly by aligning the pre-drilled holes in bottom of bed post of Upper Bed Assembly to the Steel Dowels (P) in Lower Bunk Assembly. Seat the Upper Bunk Assembly firmly down on top of the Lower bunk Assembly.

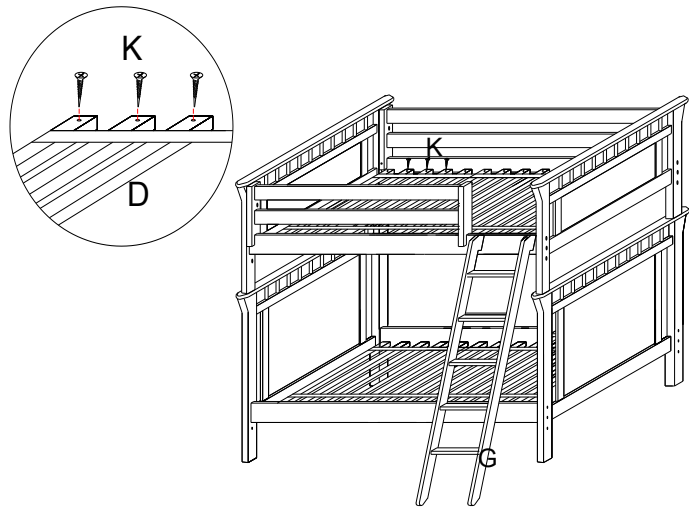


Step 5

Ladder Assembly: Attach Ladder Hooks (R) using 20MM screws (Q) into the predrilled holes in ladder (G) - 2 places. Hook the ladder over the side rails in the upper bunk - secure the ladder to the inside of the side rail using 20MM screws (Q) - 2 places

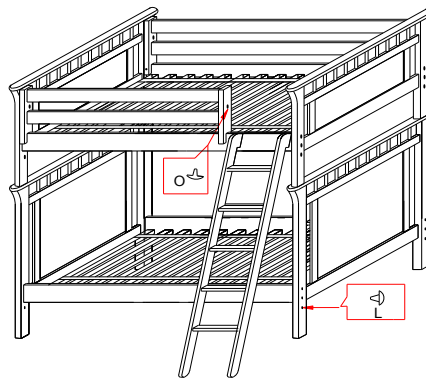


Place Slat Roll (D) on the wooden cleats of side rails in the upper and lower bunks. With counter sunk holes in slats up, center slats between the bed ends. Make sure the spacing between both bed ends and first & last slat are less than 3 1/2". Screw slats to wooden cleats using 30mm wood screw (K) - in 56 places



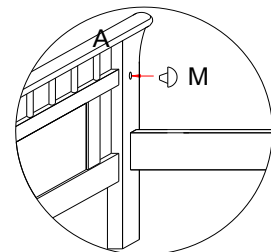
Step 6

Insert Wooden Plugs (L) into counter sunk holes in Bed ends of the upper and lower structures of bunk to cover hex bolt heads - 24 places.



Insert Safety Rail Plug (O) into thru hole in front safety rail.

Place Insert Plug (M) into threaded insert in bed end (A) of upper structure of bunk on opposite end of where the front safety rail is attached.



You are now ready to enjoy your new Bunk Bed from Bolton Furniture

Safety Warnings:

- 1) Follow the information on the warning label attached to the upper bunk end structure. Do not remove this label.
- 2) Always use the recommended size mattress to help prevent the likelihood of entrapment or falls. Use a mattress which is 75" long and 38 ½" wide for Twin, 53 1/2" wide for Full on the top bunk.
- 3) Surface of mattress must be at least 5 inches below the upper edge of the guard rails. Ensure thickness of mattress and foundation combined does not exceed 8".
- 4) Do not allow children under 6 years of age to use the upper bunk.
- 5) Prohibit more than one person on the upper bunk.
- 6) Periodically check to ensure that the guard rails, ladder, and other components are in their proper position, free from damage, and that all connectors are tight.
- 7) Do not allow horseplay on or under the bed and prohibit jumping on the bed.
- 8) Always use the ladder for entering and leaving the upper bunk.
- 9) Do not use substitute parts. Contact the manufacturer or dealer for replacement parts.
- 10) Use of a night light may provide an added safety precaution for a child using the bunk.
- 11) If the bunk bed will be placed next to a wall, the guard rail that runs the full length of the bed should be placed against the wall to prevent entrapment.
- 12) Always use guard rails on both sides of the upper bunk.
- 13) The use of water or sleep flotation mattresses is prohibited.
- 14) Keep these instructions for future reference.

STRANGULATION HAZARD

Never attach or hang items to any part of the bunk bed that are not designed for use with the bed. For example, but not limited to hooks, belts or jump ropes.

**** Warning - On Beds with finials that can be configured as Bunk Beds!**

Effective on Bunk Beds manufactured on or after March 10th, 2008, finials cannot be used.

The finials provided with certain beds, which are part of the design of the bed, are to be used only in one of the lower configuration – that is as a Twin, Full, Queen or King configuration.

These finials are never to be used in the upper structure in a Bunk Bed configuration.

Using the finials in the upper structure of a Bunk Bed will create a strangulation hazard. Never use finials in the upper structure of a Bunk Bed.

A flat Mushroom Cap made to conform to the requirement is provided to take the place of finials in the upper structure in Bunk Bed configurations.