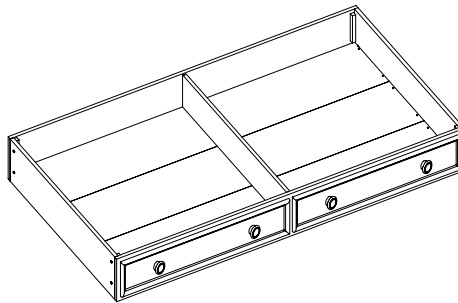


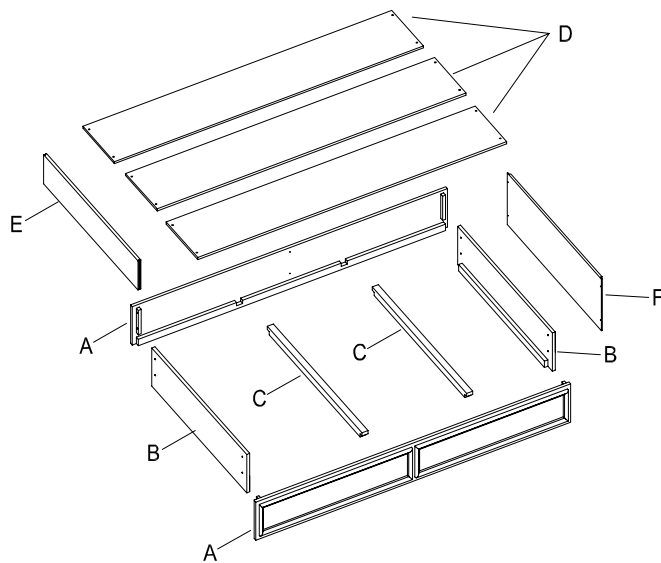
Assembly Sheet - Trundle/Storage Drawer




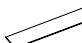


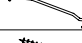


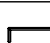

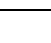
Web Site: www.boltonfurniture.biz



Thank you for purchasing our products. Assembly of this product requires a phillips screwdriver and Hex Wrench (included).

Lay out parts on a non-abrasive surface to avoid scratching finish.



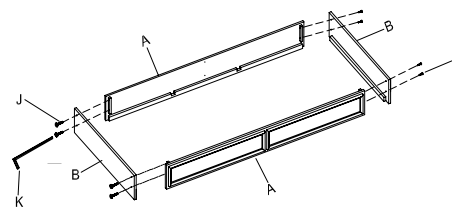
NO.	DRAWING	DESCRIPTION	Q'TY
A		FRONT /&BACK	2
B		SIDE PANEL	2
C		BOTTOM RAIL	2
D		BOTTOM PANEL	3
E		MID PANEL	1
F		SIDE PANEL	1
G		BRACKET	2
H		WOOD SCREW	40
I		WHEELS	4
J		HEX BOLT	8
K		HEX WRENCH	1
L		KNODS	4

STEP 1

Identify and count all parts and Hardware using diagram above.

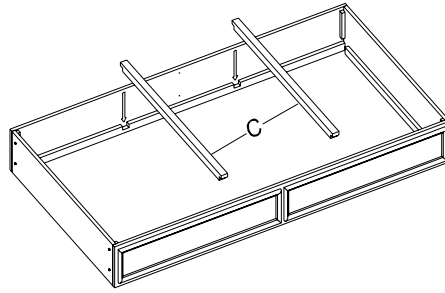
Step 2

Attach Side Panels (B) to Front and Back (A) by threading Hex Bolt (J) into threaded inserts in cleats on the Front and Back Panel. Use Hex Wrench (K) to tighten Hex Bolts.



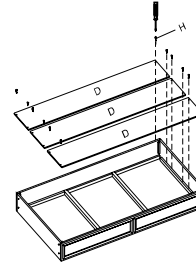
STEP 3

Place Bottom Rails (C) into the slots in the support cleats on the Front & Back Panel. Screw into place using Wood Screws.



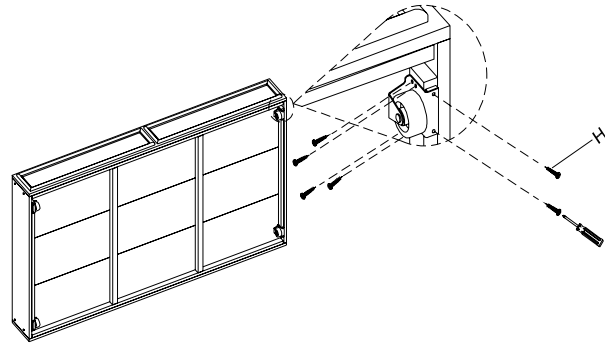
STEP 4

Position Bottom (D) on the support cleats. Screw into place using Wood Screws (H).



STEP 5

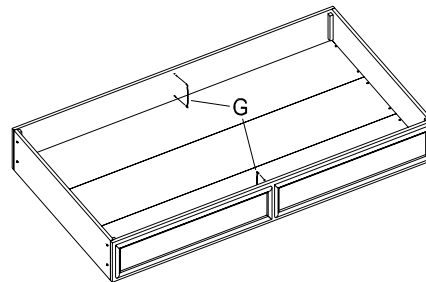
Attach 4 Wheels (I) to Side Panels (B). Do this by screwing Wood Scw (H) in pilot holes in bottom edge and inside face of Side Panels (B). Attach Knobs (L) to Front & Back Panel.



STEP 6

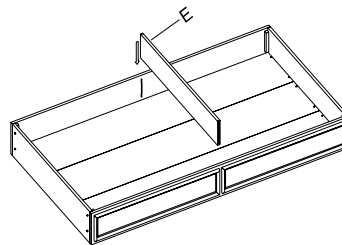
Insert Bracket Guide (G) into pre-drilled holes in Front and Back Panel (A).

If you intend to use your Trundle/Storage Drawer as a Storage Drawer



STEP 7

Slide Mid Panel (E) on to the Bracket Guide (G) to create your under bed storage drawer.



This completes the assembly of your Trundle/Storage Drawer