



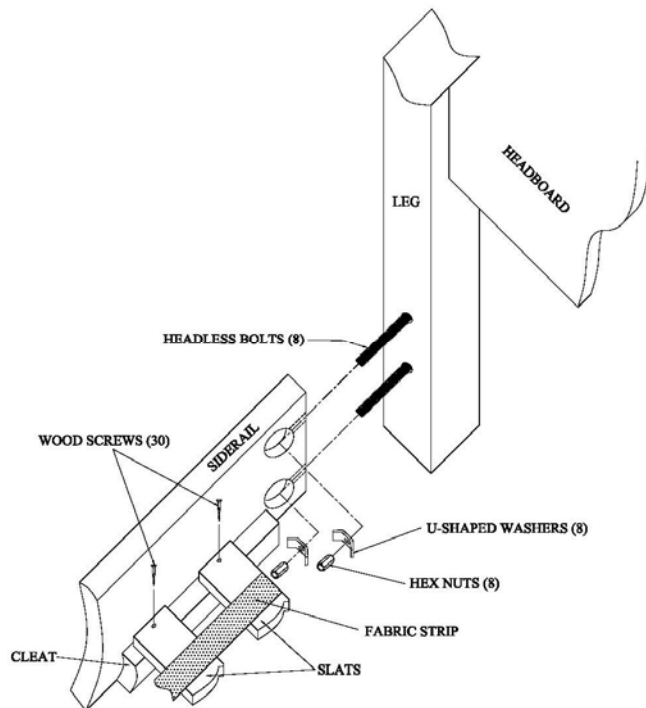
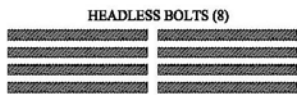
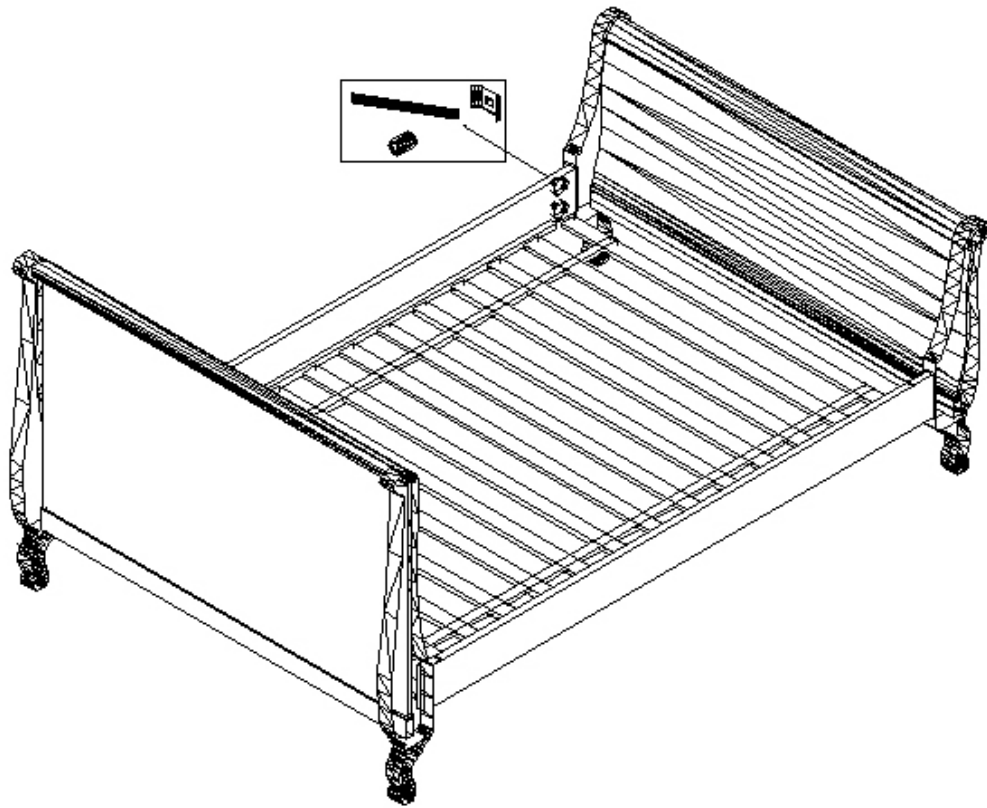
Tel: 802-888-7974

Fax: 802-888-3668

Website: www.vtprecision.com

**BOLTON FURNITURE
ASSEMBLY INSTRUCTIONS**

**ASSEMBLY SHEET FOR CELESTE SLEIGH
TWIN/FULL BED**



**We recommend that two adults work together to assemble this bed. Some parts of the bed may be extremely heavy. Keep children and animals away from work area. To avoid damage, do not drop or let any parts of the bed frame fall. Do not push, pull or drag the furniture (parts or completely assembled). Always lift entire piece off the floor.*

Please read instructions thoroughly before assembly.

Bed Parts You Should Have: 1 Headboard, 1 Footboard, 2 Side Rails, 1 Slat Roll and Hardware Bag with Assembly Instructions.

Step 1: Check the hardware bag to be sure that you have the following: 8 Headless Bolts, 8 U-shaped Washers (Bridge Washers), 8 Hexagonal Nuts, 30 Wood Screws and 1 Open-end Wrench

Step 2: Attaching the Side Rails to the Headboard: While one person holds the headboard upright, the second person inserts the bolt assemblies. Thread 2 Headless bolts into the threaded inserts on the inside of each Headboard leg.

To connect the Side Rails - with the cleat side to the inside of the bed, slide the rail end against the Headboard leg with the end of the Headless Bolts sliding into the predrilled holes in the end of the Side Rail. The Bolts will now appear in the two large holes on the inside of the Side Rail. Place the U-shaped Washer over the protruding end of each headless Bolt so that the washer conforms to the shape of the inside of the large holes in the side rail. Thread the Hexagonal Nuts onto each end of the bolts and hand tighten (do not tighten with the wrench at this time). Attach the second Side Rail to the opposite side of the Headboard using the same steps above.

Step 3: Attaching Side Rails to the Footboard: Repeat Step 2 above to attach the Headless Bolts to the Footboard. Once you are ready to slide both of the Side Rails onto the footboard bolts, have one person at the end of each Side Rail to attach them simultaneously. Support both Side Rails and the Headboard until they are securely attached.

Once all of the Hex Nuts are attached, tighten them with the Open-End Wrench. Make sure there is no movement in the joints. Note: The leg of the Headboard and footboard must form a 90 degree angle with the side rails to avoid damage to the legs, rails and or hardware.

Step 4: Installing the Slats. With the fabric strapping facing up, position the slats on the cleat of the Side Rails. Center the slat roll between the head and foot board. Secure the slats to the cleats using the Wood Screws through the predrilled holes at the ends of the slats. This completes the assembly.

Replacement parts may be obtained from any of our Bolton or Vermont Precision works dealers.

We thank you for your purchase and hope you enjoy your new furniture!