

Assembly Sheet Emma - Bunk Bed

Replacement parts can be obtained from any Bolton Furniture authorized dealer.


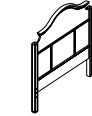




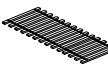

249 Professional Drive, Morrisville, VT



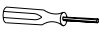







Phone: 802-888-7974

Fax: 802-888-3668

Web Site: www.boltonfurniture.biz

Parts List

NO.	Drawing	Description	Qty.
A		Twin Footboard	2
B		Twin Tall Headboard	2
C		Side Rails	4
D		6" Blocks	4
E		Front Safety Rail	1
F		Back Safety Rail	1
G		Twin Bed Slats	1
H		Ladder	1

NO.	Drawing	Description	Qty.
I		100mm Hex Bolt	16
J		Cross Dowel	16
K		Allen Wrench	1
L		30mm wood screw	63
M		M8*70mm Headless Rods	8
N		50mm Hex Bolt	3
O		Mushroom Plug	24
P		Wood Finial	4
Q		20mm wood screw	6
R		HOOK	2

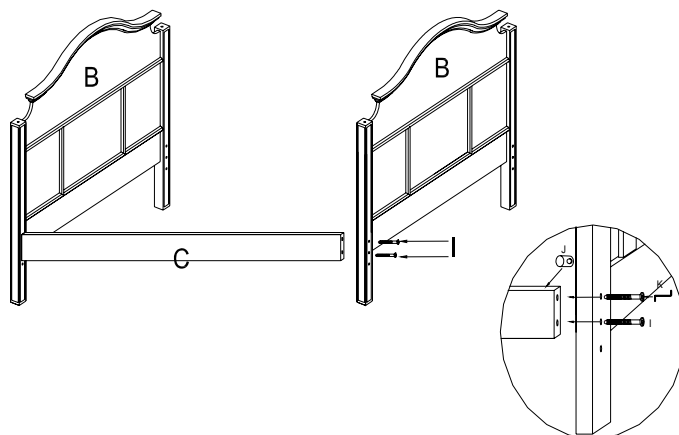
Emma Bunk Bed Assembly Instructions: Two people recommended for this assembly

Step 1

Verify that all parts are in box.

Step 2 - Lower Bunk Structure Assembly

Position Bed Ends (B) and Side Rails (C) in approximate location where you want bed. Insert Cross Dowels (J) in holes on inside of side rails. Attach both side rails to bed ends by inserting 80mm Hex Bolt (I) through the upper holes on bed ends. Thread hex Bolt into cross Dowels in side rails. Using Hex Wrench (K) tighten hex Bolts. SEE DIAGRAM



249 Professional Drive, Morrisville, VT

Phone: 802-888-7974

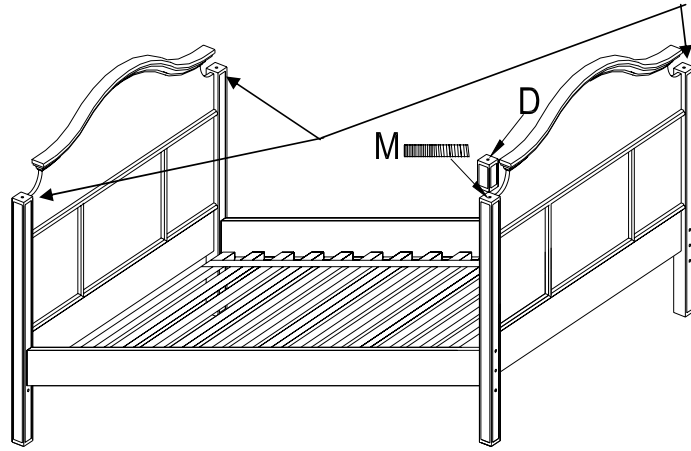
Fax: 802-888-3668

Web Site: www.boltonfurniture.biz

Step 3 - Attach Slat Roll & 6" Block

Attach Slat roll (B) to cleats in side rails using 30MM Wood Screws (L). Every Slat must be securely attached to cleats on both ends of slat.

Thread Headless Rods (M) into Threaded Inserts in top of bed post - 4 places. Attach 6" Block (D) to Headless Rods to the end of 6" Block with Threaded Insert. Thread down tight so that the 6" Block is firmly secure to Bed Post. Do this in 4 places.



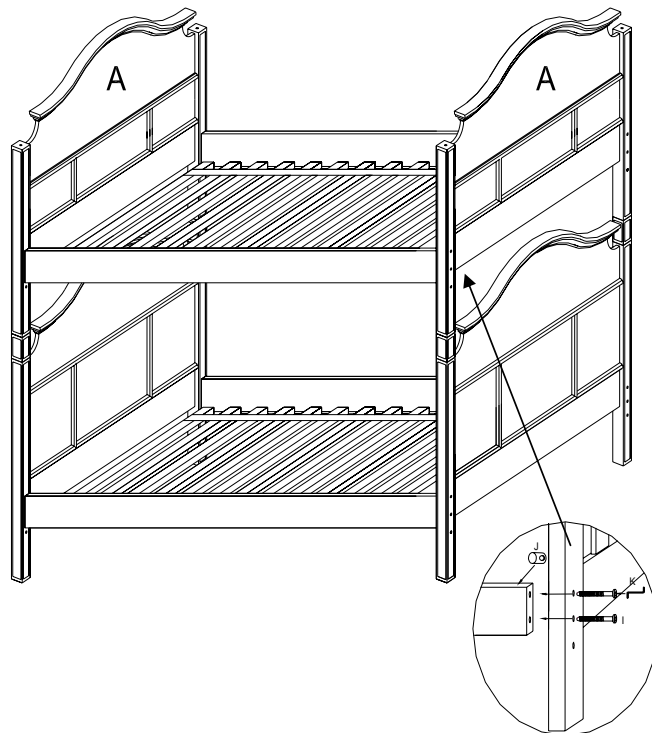
Step 4 - Upper Bunk Structure Assembly

Insert steel Dowel into pre-drilled hole in top edge of 6" Block - 4 places. Attach Bed Ends (A) to top of lower Bunk Structure Bed Ends by aligning steel pins in top edge of 6" Block to pre-drilled holes in bottom post of Bed Ends (A). Seat top Bed ends down tightly.

Insert Cross Dowels (J) in notes on inside of side rails. Attach side rails to bed ends by inserting 80mm Hex Bolt (I) through the upper holes on bed ends. Thread hex Bolt into cross Dowels in side rails. Using Hex Wrench (K) tighten hex Bolts - attach 4 places.

Attach Slat Roll in Upper Bunk Assembly

Attach Slat Roll (B) to cleats in side rails using 30MM Wood Screws (L). Every Slat must be securely attached to cleats on both ends of slat.



249 Professional Drive, Morrisville, VT

Phone: 802-888-7974

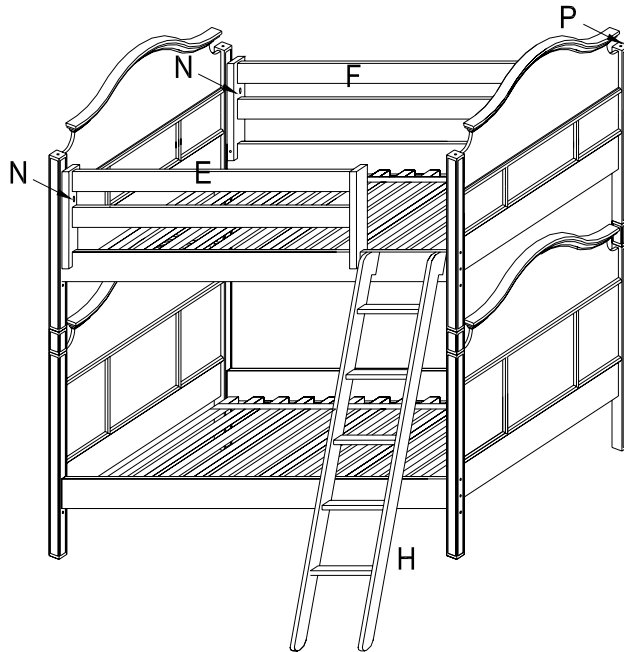
Fax: 802-888-3668

Web Site: www.boltonfurniture.biz

Step 5 - Attach Safety Guardrails and Ladder

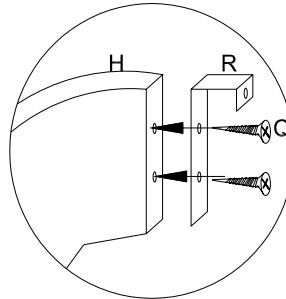
Attach Back Safety Rail (F) to Bed Ends by aligning thru hole in safety rail post to insert in bed ends. Secure to both bed ends using 50 MM Hex Bolt (N). Tighten Hex Bolts using Allen Wrench (K). Note: may need to loosen Hex Bolts attaching bed ends to side rails to slide long guardrail into place.

Attach Front Safety Rail (E) to bed end using 50MM Hex Bolt (N). Align thru hole in front safety rail post to insert in bed end post. Tighten using Hex Wrench (K). Note: Front Safety Rail can be attached to left or right hand bed end.

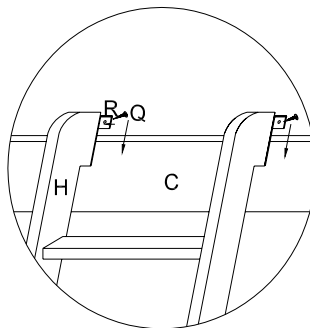
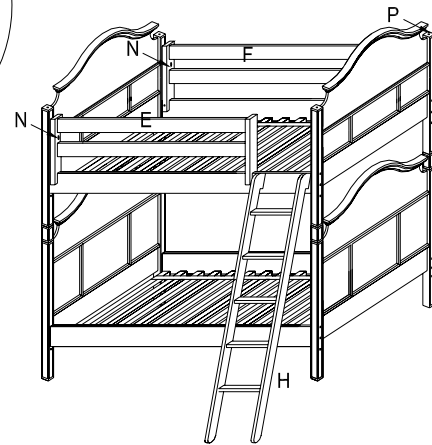


Step 6

Ladder Assembly - Attach Ladder Hooks (R) to Ladder using 20mm Wood Screws (Q).



Attach Ladder by positioning the hooks on Ladder (H) over the front side rails of the Upper Bunk. Secure the ladder to the inside of the upper front side rails using 20mm Wood Screws (Q)



Safety Warnings:

- 1) Follow the information on the warning label attached to the upper bunk end structure. Do not remove this label.
- 2) Always use the recommended size mattress to help prevent the likelihood of entrapment or falls. Use a mattress which is 75" long x 38 ½" wide.
- 3) Top Surface of mattress must be at least 5 inches below the upper edge of the guard rails. Ensure thickness of mattress and foundation combined does not exceed 8".
- 4) Do not allow children under 6 years of age to use the upper bunk.
- 5) Prohibit more than one person on the upper bunk.
- 6) Periodically check to ensure that the guard rails, ladder, and other components are in their proper position, free from damage, and that all connectors are tight.
- 7) Do not allow horseplay on or under the bed and prohibit jumping on the bed.
- 8) Always use the ladder for entering and leaving the upper bunk.
- 9) Do not use substitute parts. Contact the manufacturer or dealer for replacement parts.
- 10) Use of a night light may provide an added safety precaution for a child using the bunk.
- 11) If the bunk bed will be placed next to a wall, the guard rail that runs the full length of the bed should be placed against the wall to prevent entrapment.
- 12) Always use guard rails on both sides of the upper bunk.
- 13) The use of water or sleep flotation mattresses is prohibited.
- 14) Keep these instructions for future reference.
- 15) Never attach or hang items to any part of the bunk bed that are not designed for use with the bed. For example, but not limited to hooks, belts or jump ropes.

STRANGULATION HAZARD

Warning - On Beds with finials that can be configured as Bunk Beds!

Effective on Bunk Beds manufactured on or after March 10th, 2008, finials cannot be used.

The finials provided with certain beds, which are part of the design of the bed, are to be used only in one of the lower configuration – that is as a Twin, Full, Queen or King configuration.

These finials are never to be used in the upper structure in a Bunk Bed configuration.

Using the finials in the upper structure of a Bunk Bed will create a strangulation hazard. Never use finials in the upper structure of a Bunk Bed.

A flat Mushroom Cap – made to conform to the requirement is provided to take the place of finials in the upper structure in Bunk Bed configurations.

249 Professional Drive, Morrisville, VT

Phone: 802-888-7974

Fax: 802-888-3668

Web Site: www.boltonfurniture.biz