



BOLTON

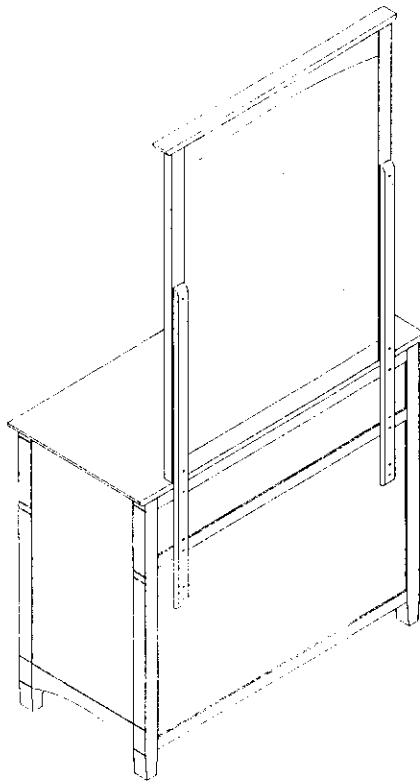
F U R N I T U R E

249 Professional Drive, Morrisville, VT 05661

Voice: 802-888-7974 Fax: 802-888-3668

www.boltonfurniture.biz

Essex Mirror Bracket Assembly



Thank you for purchasing our Essex Mirror. Assembly of this product requires a phillips screwdriver. We have found it helpful to have a second person present in at least one step of the assembly.

Parts List

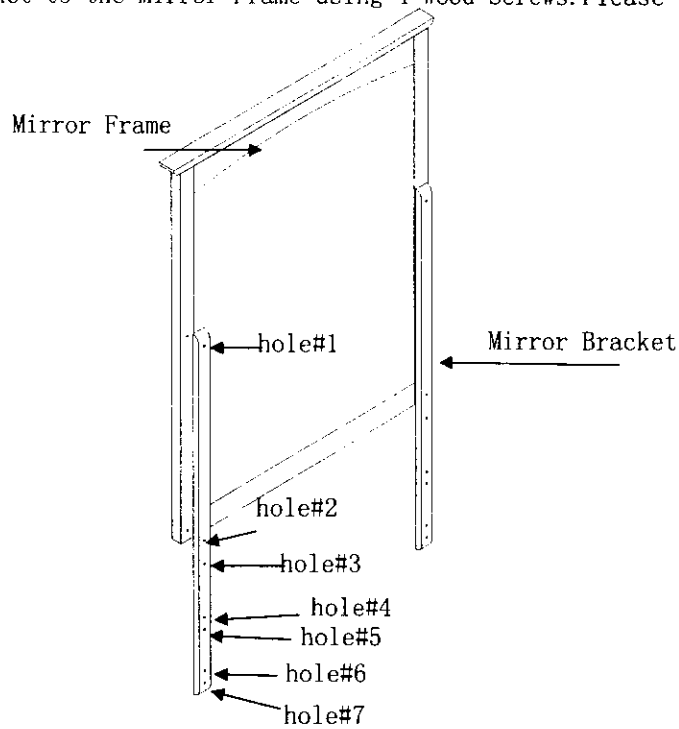
- Mirror Frame(1)
- Mirror with brackets(2)
- Wood Screws(8)

Step 1

Wooden pieces should be placed on a non-abrasive surface to prevent damage to the finish.

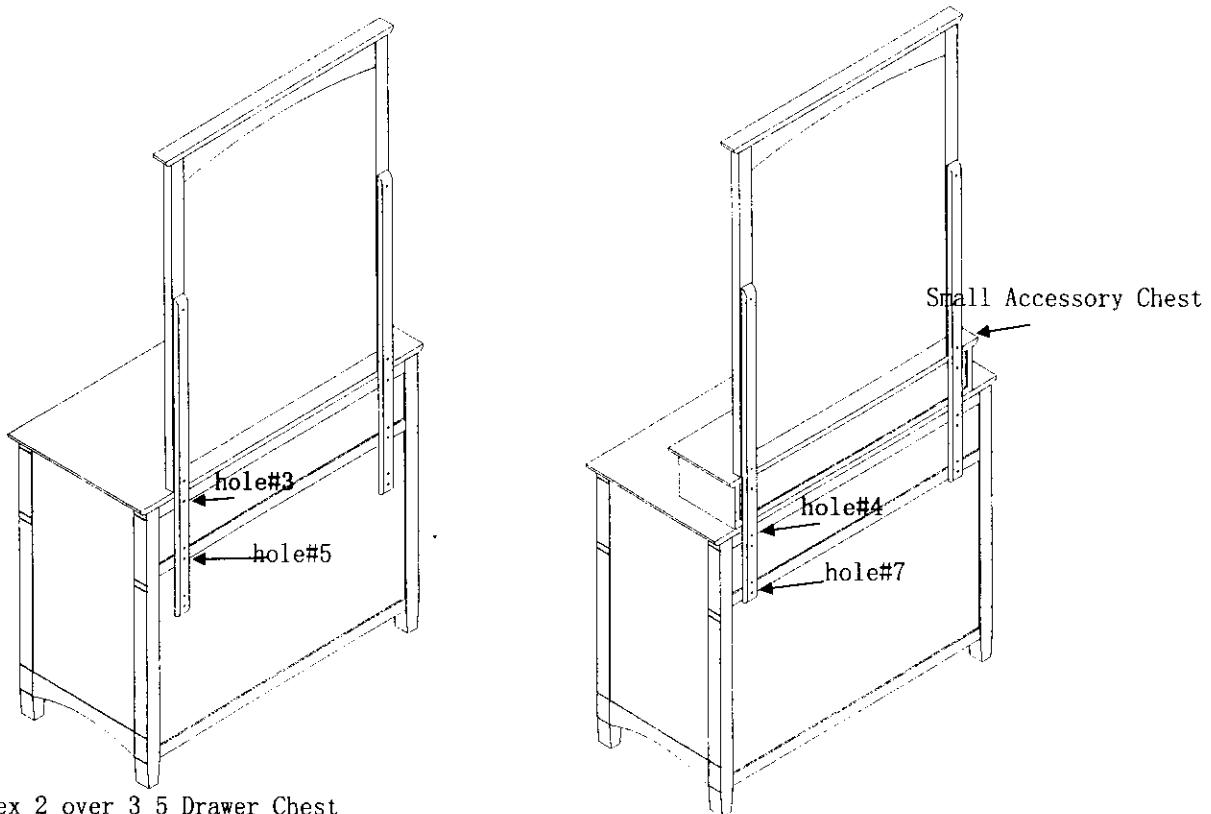
Step 2

Attach Mirror Bracket to the Mirror Frame using 4 Wood Screws. Please use hole#1 and hole#2 for the attachment.



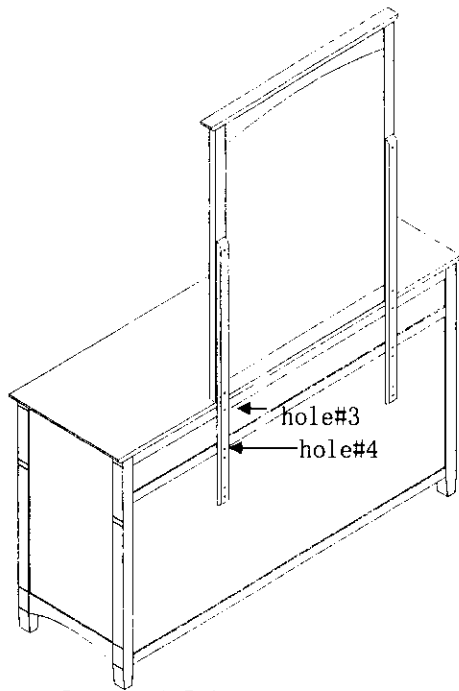
Step 3

Attach Mirror to Essex 2 over 3 5 drawer chest or Essex 2 over 2 4 drawer chest using 4 Wood Screws. On this step, we need to use hole#3use hole#4 and#7 if a Small Accessory Chest stacked on top of the 5 drawer chest.

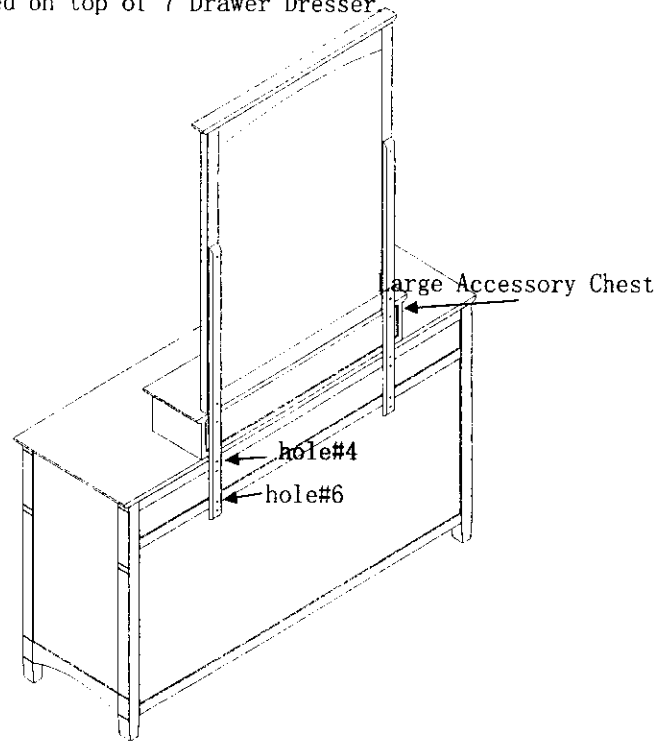


Essex 2 over 3 5 Drawer Chest

Attach Mirror to Essex 3 over 4 7 drawer chest using 4 Wood Screws. On this step, please use hole#3 and #4; use hole#4 and #6 if a Large Accessory Chest stacked on top of 7 Drawer Dresser.



Essex 3 over 4 7 Drawer Dresser



Care: Clean with mild soap and warm water - wipe dry.