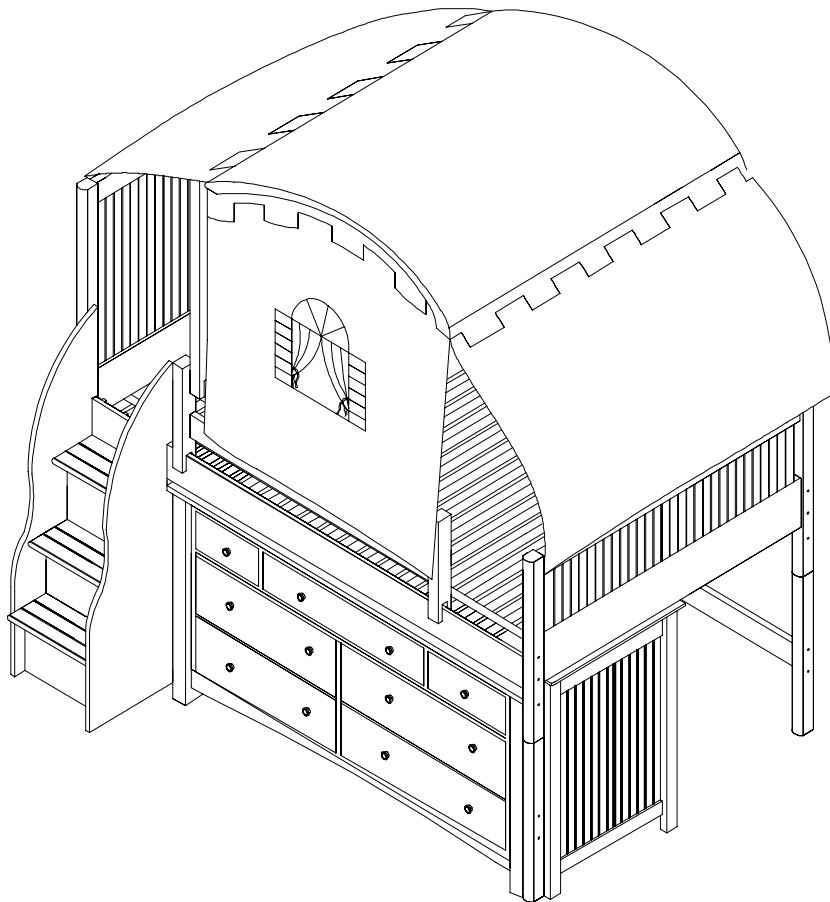










Assembly Instructions - Low Loft Stairs

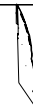

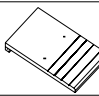
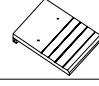

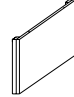
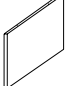



Replacements Parts can be obtained from any Authorized Bolton Dealer

www.boltonfurniture.biz

Parts List

NO.	Drawing	Description	Qty.
A		35mm Hex Bolt	22
B		Allen Wrench	1
C		Hook	2
D		20mm wood screw	6
E		Leveler	4
F		50mm Hex Bolt	2

NO.	Drawing	Description	Qty.
G		Right End	1
H		Left End	1
I1		Bottom Step	1
I2		Middle Step	1
I3		Top Step	1
J1		Bottom Riser	1
J2		Middle Risers	2
J3		Top Riser	1

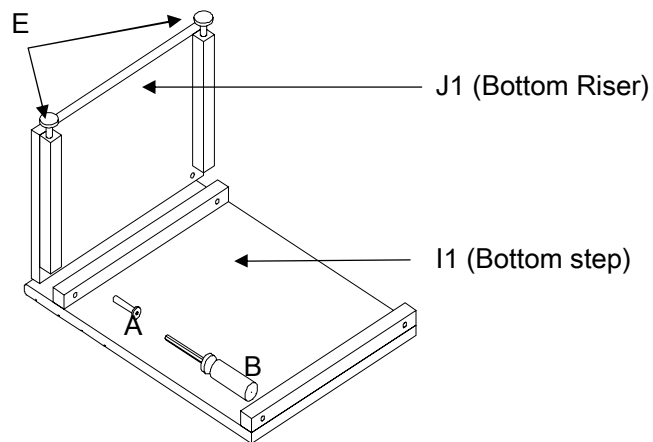
Step 1: Open boxes and Verify that all parts are included in packages.

Step 2: Lay the parts on a non abrasive surface.

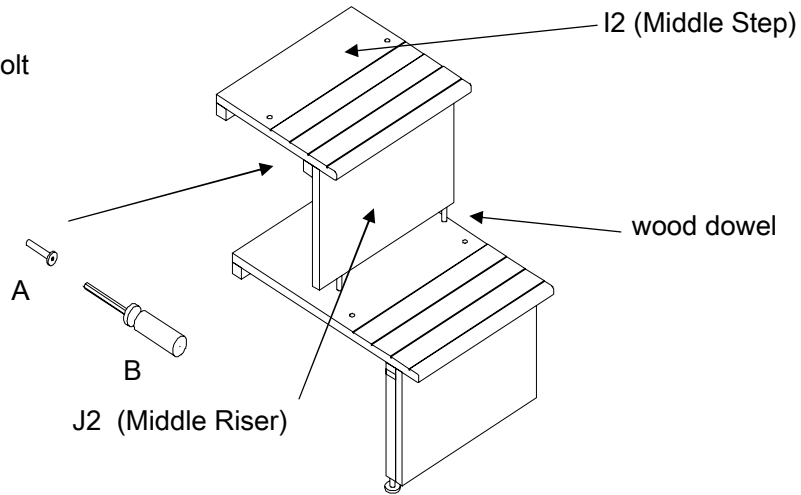
Step 3: Attach the risers to Steps

Attached Bottom Riser (J1).
Bottom Step (I1) using Hex Bolt (A) and Allen Wrench (B) - 2 places. Do not Tighten Hex Bolts at this time.

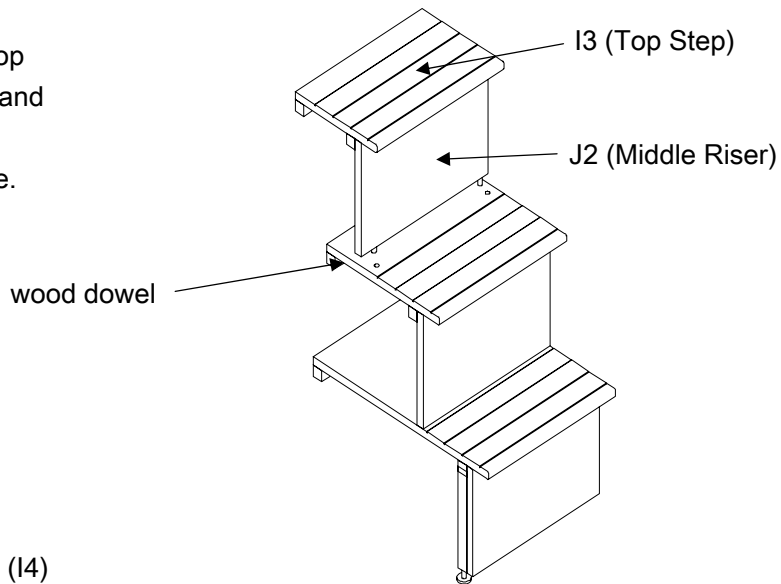
Insert Leveler (E) into threaded inserts in Bottom Riser (J1) - 2 places



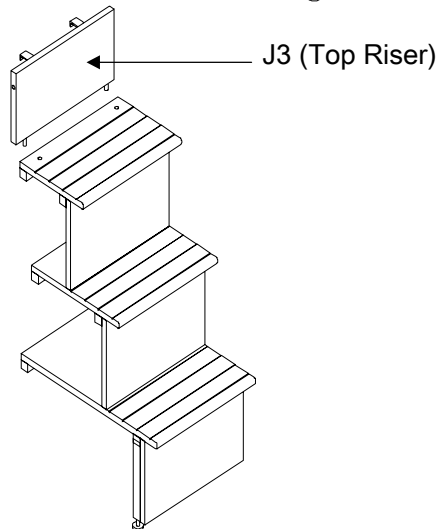
Attach Middle Riser (J2) to Middle Step (I2) using Hex Bolt (A) and Allen Wrench (B) - 2 places. Do not Tighten Hex Bolts at this time.



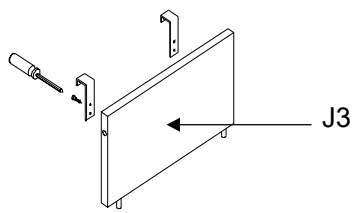
Attach Middle riser (J2) to Top Step (I3) using Hex Bolt (A) and Allen Wrench (B). Do not Tighten hex Bolts at this time.



Attach Top riser (J3) to Step (I4) by aligning the dowel pins to predrilled holes in top step (I3)

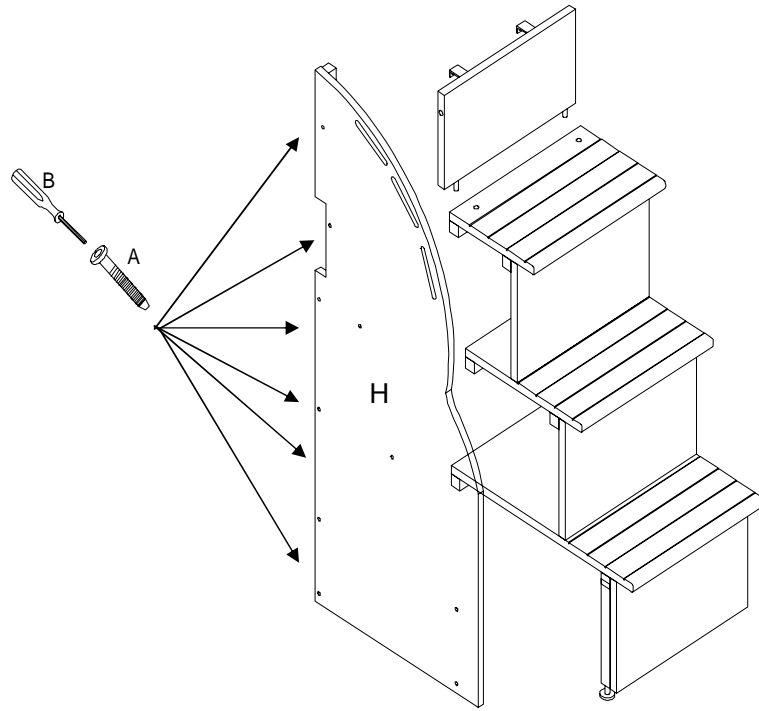


Attach Hooks (C) to Top Riser (J3) using wood Screws (D)

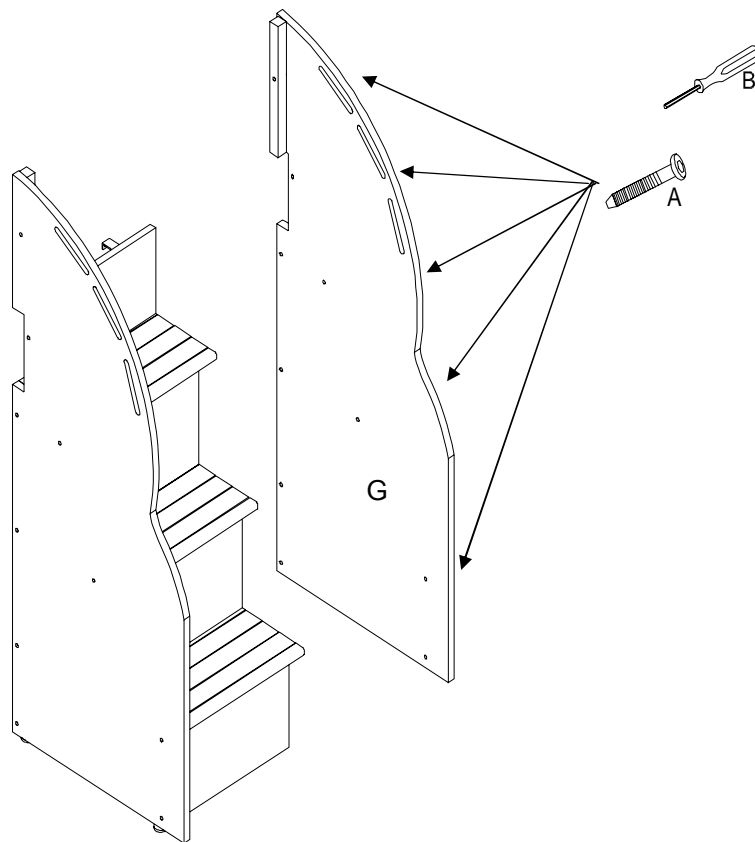


Step 4: Attach Side Panels

With the step assembly on its side, attached Left End (H) using Hex Bolts (A) and Allen Wrench (B) - 10 places. Do not Tighten Hex Bolts at this time.



Position Step Assembly on its left hand side - attached Right End (G) using Hex Bolts (A) and Allen Wrench (B) - 10 places. **At this time, tighten all Hex Bolts!**



Insert Leveler (E) into threaded inserts in left and right hand ends - 2 places.

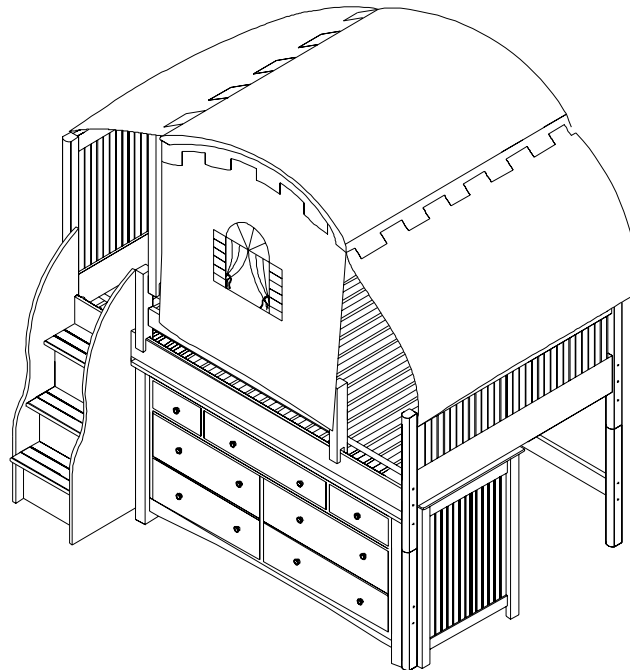
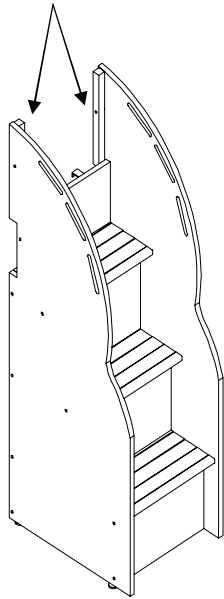
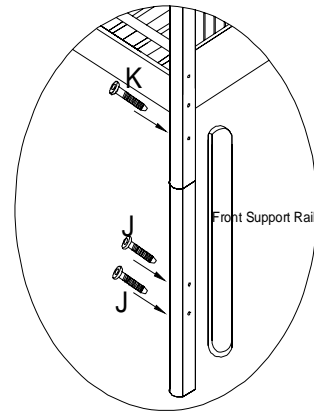
H

Step 5: Attach Low Loft Stair Assembly to Low Loft

NOTE: Stabilizer Bar needs to be attached on outside of Bed Post when using Stairs - Stairs need to be attached on Footboard end of Bed.

Extend levelers on Low Loft stairs so that the Stair Unit is level and the Hooks can be positioned over the side rail on Low Loft Assembly.

Align thru holes in cleats on Left and right end of low loft stairs to inserts in bed end and front guardrail on Low Loft. Secure Low Loft Stair Assembly to Any Bolton Low Loft using Hex Bolt (F) and Allen Wrench (B) - 2 places



Attach this stair unit to any Bolton Low Loft Storage or Tent configuration.

Safety Warnings:

- 1) Follow the information on the warning label attached to the upper bunk end structure. Do not remove this label.
- 2) Always use the recommended size mattress to help prevent the likelihood of entrapment or falls. Use a mattress which is 75" long and 38 ½" wide on the top bunk.
- 3) Always use the recommended size mattress to help prevent the likelihood of entrapment or falls. Use a mattress which is 75" long and 53 1/2" wide on the lower bed (full size).
- 4) Surface of mattress must be at least 5 inches below the upper edge of the guard rails. Ensure thickness of mattress and foundation combined does not exceed 8".
- 5) Do not allow children under 6 years of age to use the upper bunk.
- 6) Prohibit more than one person on the upper bunk.
- 7) Periodically check to ensure that the guard rails, ladder, and other components are in their proper position, free from damage, and that all connectors are tight.
- 8) Do not allow horseplay on or under the bed and prohibit jumping on the bed.
- 9) Always use the ladder for entering and leaving the upper bunk.
- 10) Do not use substitute parts. Contact the manufacturer or dealer for replacement parts.
- 11) Use of a night light may provide an added safety precaution for a child using the bunk.
- 12) If the bunk bed will be placed next to a wall, the guard rail that runs the full length of the bed should be placed against the wall to prevent entrapment.
- 13) Always use guard rails on both sides of the upper bunk.
- 14) The use of water or sleep flotation mattresses is prohibited.
- 15) Keep these instructions for future reference.

STRANGULATION HAZARD

Never attach or hang items to any part of the bunk bed that are not designed for use with the bed. For example, but not limited to hooks, belts or jump ropes.

Warning - On Beds with finials that can be configured as Bunk Beds!

Effective on Bunk Beds manufactured on or after March 10th, 2008, finials cannot be used.

The finials provided with certain beds, which are part of the design of the bed, are to be used only in one of the lower configuration – that is as a Twin, Full, Queen or King configuration.

These finials are never to be used in the upper structure in a Bunk Bed configuration.

Using the finials in the upper structure of a Bunk Bed will create a strangulation hazard. Never use finials in the upper structure of a Bunk Bed.

A flat Mushroom Cap – made to conform to the requirement is provided to take the place of finials in the upper structure in Bunk Bed configurations.